

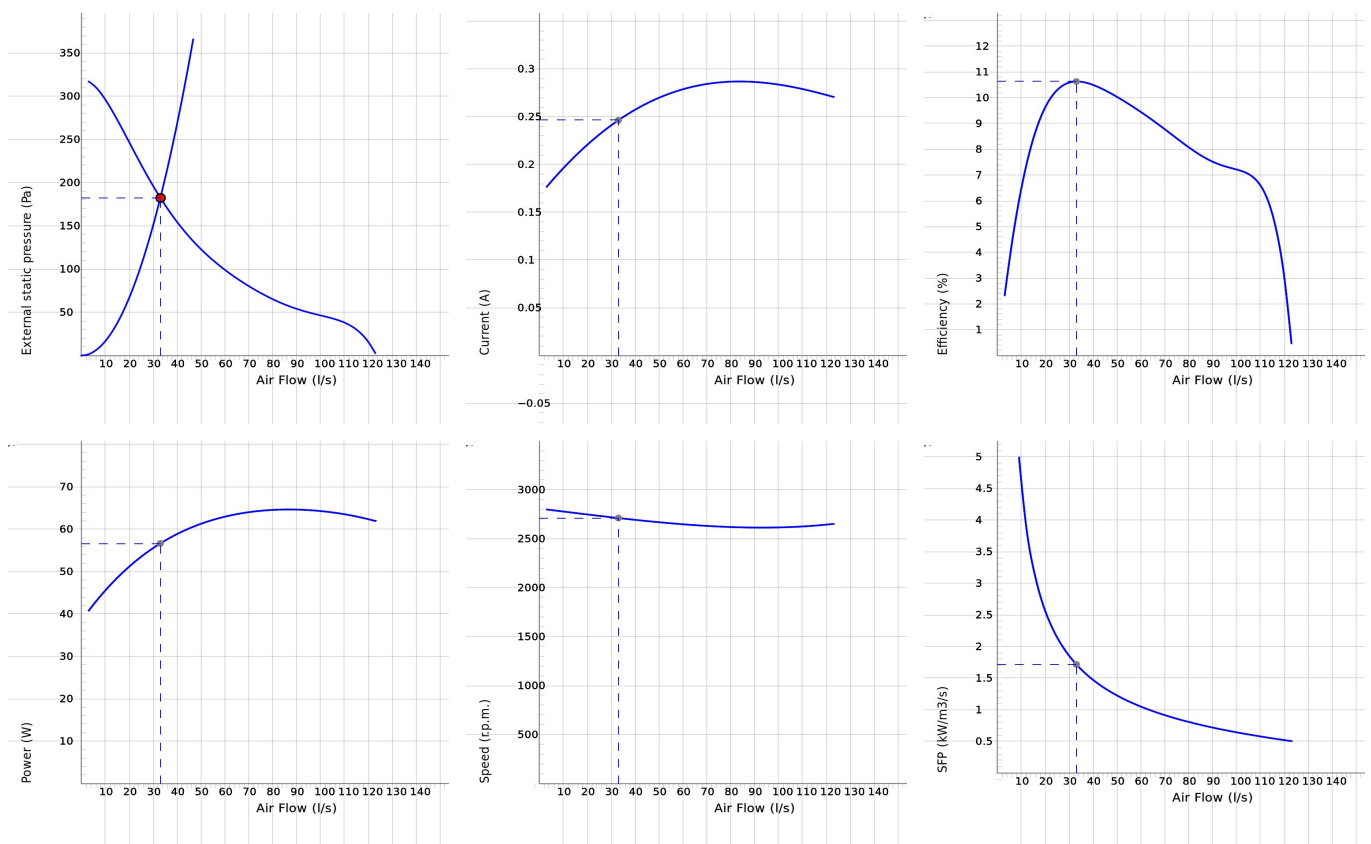
## RS 160 A1



- Exhaust wall fan with circular inlet connection.
- Designed for mounting on external wall.
- Impeller with backward curved blades.
- The external rotor motor has maintenance-free sealed ball-bearings.
- Integrated motor protection.
- Junction box has enclosure class IP 54.
- For speed control a transformer or electronic speed controller can be connected.
- Fan housing is manufactured from galvanized sheet steel.
- Black painted for high durability.
- To comply with the ErP 2018 regulation, a local demand controller must be used.



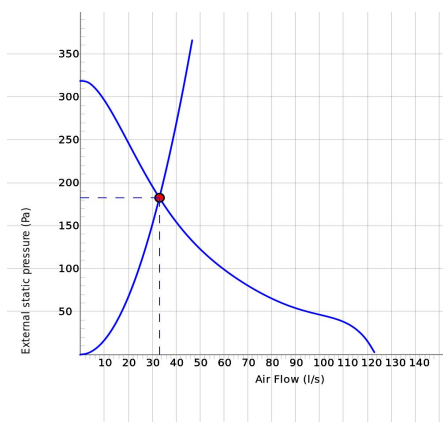
## DIAGRAMS



## Work Point

Air Flow (l/s)	External static pressure (Pa)	Power (W)	Speed (r.p.m.)	Current (A)	Efficiency (%)	SFP (kW/m <sup>3</sup> /s)	Voltage (V)
33	182	56.6	2712	0.246	10.6	1.72	230

## SOUND DATA



	Tot	63	125	250	500	1k	2k	4k	8k
Inlet Lw dB(A)	61	45	53	55	56	54	45	37	20
Surrounding Lw dB(A)	58	48	38	49	53	52	50	40	33
Surrounding Lp dB (A) 20m <sup>2</sup> Sabine, hemispherical 3m	51								

## Work Point

Air Flow (l/s) 33	External static pressure (Pa) 182	Power (W) 56.6	Speed (r.p.m.) 2712	Current (A) 0.246	Efficiency (%) 10.6	SFP (kW/m <sup>3</sup> /s) 1.72	Voltage (V) 230
----------------------	--------------------------------------	-------------------	------------------------	----------------------	------------------------	------------------------------------	--------------------

## TECHNICAL DATA

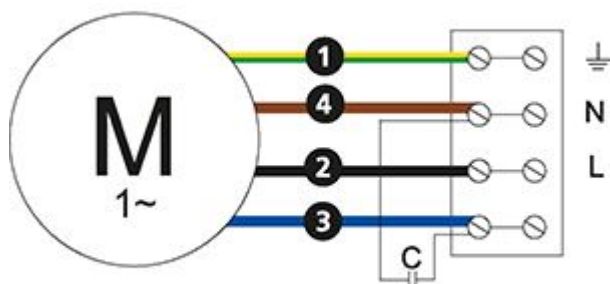
Parameter	RS 160 A1 man tp 7400009		RS 160 A1 aut tp 7400011	
	Value	Unit	Value	Unit
Voltage	230	V	230	V
Phase	1	~	1	~
Frequency	50	Hz	50	Hz
Optional frequency	60	Hz	60	Hz
Power	64	W	64	W
Current	0.29	A	0.29	A
Speed	1200	r.p.m.	1200	r.p.m.
Max. temperature of transported air	65	°C	65	°C
Max. temperature of transported air when speed controlled	65	°C	65	°C
Sound pressure level at 3 m	51	dB(A)	51	dB(A)
Weight	5.2	kg	5.2	kg
Enclosure class	44	IP	44	IP
Insulation class, motor	F		F	
Capacitor	3	µF	3	µF
Duct connection	160	mm	160	mm
Max. flow	123	l/s	123	l/s
Max. pressure	319	Pa	319	Pa
Voltage range	220-240	V	220-240	V

## ECODESIGN

Parameter	Value	Unit
(a) Manufacturer	Östberg	-
(b) Model code	RS 160 A1	-
(c) SEC value	-25.22	kWh/m <sup>2</sup>
SEC class	C	-
(d) Declared type	RVU / UVU	-
(e) Type of drive	Multi-speed drive (accessory)	-
(f) Type of heat recovery	N/A	-
(g) Thermal efficiency	N/A	%
(h) Max. flow rate (@100Pa)	214	m <sup>3</sup> /h
(i) Power at max. flow rate	63	W
(j) Sound power level	58	dB LwA
(k) Reference flow rate	0.095	m <sup>3</sup> /s
(l) Reference pressure difference	50	Pa
(m) SPI	0.19	W/(m <sup>3</sup> /h)
(n) Type of control/ctrl factor	Local demand control(accessory)/0.65	-
(o) External (and internal) leakage rate	N/A (N/A)	%
(p) Mixing rate	N/A	-
(q) Visual filter warning	N/A	-
(r) Instruction supply/exhaust grilles	See manual	-
(s) Disassembly instructions	<a href="http://www.ostberg.com">www.ostberg.com</a>	-
(t) Airflow sensitivity	N/A	-
(u) Air tightness	N/A	m/s
(v) AEC	168	kWh
(w) AHS average	3018	kWh
AHS warmer	1365	kWh
AHS colder	5904	kWh

## WIRING DIAGRAM

4040002



Ⓜ = Fan Motor

Ⓜ1 = Fan Motor

Ⓜ2 = Fan Motor

Ⓜ3 = Rotor Motor

1 = Yellow/Green

2 = Black

3 = Blue

4 = Brown

5 = White

6 = Orange

7 = Grey

8 = Red

9 = Green

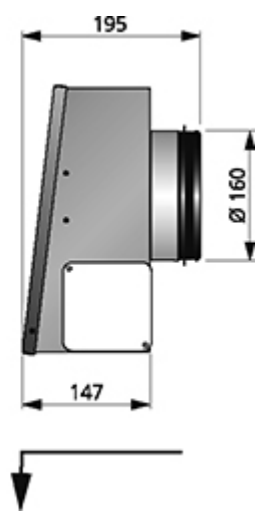
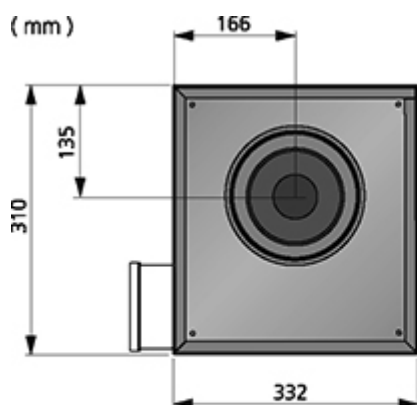
10 = Violet

11 = Quick switch

12 = Yellow

## DIMENSIONS

( mm )



## ACCESSORIES

### Mechanical accessories



Back draught shutter Silencer LDC 160  
RSK 160

### Electrical accessories



Transformer  
controller VRTE C



Transformer  
controller VRDE 1.5



Speed controller  
VRS  
0.5



Local Demand  
Controller Kit