

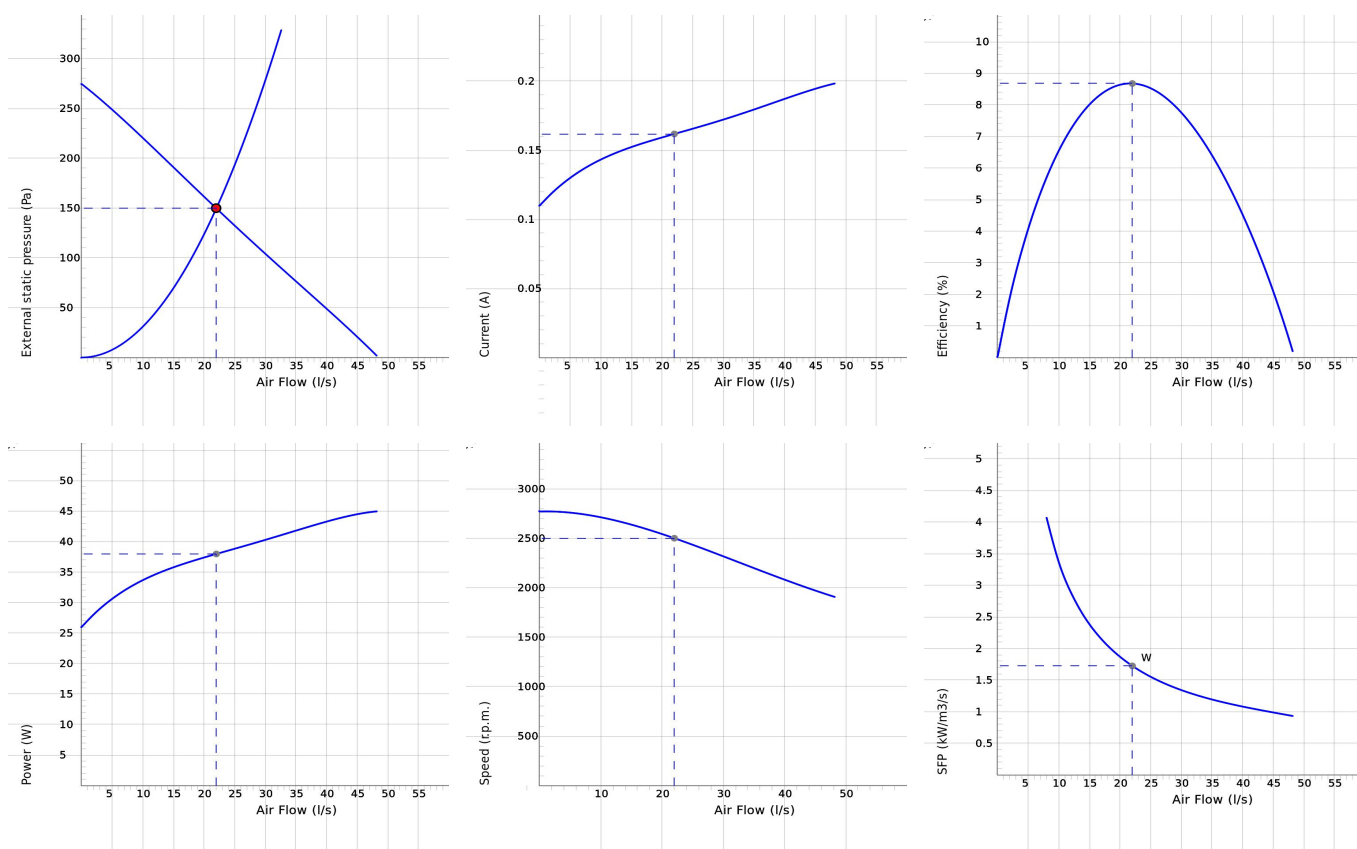
RS 125 A1



- Exhaust wall fan with circular inlet connection.
- Designed for mounting on external wall.
- Impeller with backward curved blades.
- The external rotor motor has maintenance-free sealed ball-bearings.
- Integrated motor protection.
- Junction box has enclosure class IP 54.
- For speed control a transformer or electronic speed controller can be connected.
- Fan housing is manufactured from galvanized sheet steel.
- Black painted for high durability.
- To comply with the ErP 2018 regulation, a local demand controller must be used.



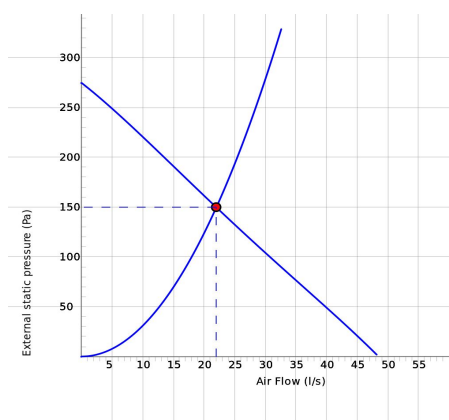
DIAGRAMS



Work Point

Air Flow (l/s)	External static pressure (Pa)	Power (W)	Speed (r.p.m.)	Current (A)	Efficiency (%)	SFP (kW/m ³ /s)	Voltage (V)
22	150	38	2501	0.162	8.68	1.73	230

SOUND DATA



	Tot	63	125	250	500	1k	2k	4k	8k
Inlet Lw dB(A)	65	51	55	59	60	59	54	46	32
Surrounding Lw dB(A)	63	48	39	50	57	59	56	46	37
Surrounding Lp dB (A) 20m ² Sabine, hemispherical 3m	56								

Work Point

Air Flow (l/s) 22	External static pressure (Pa) 150	Power (W) 38	Speed (r.p.m.) 2501	Current (A) 0.162	Efficiency (%) 8.68	SFP (kW/m ³ /s) 1.73	Voltage (V) 230
----------------------	--------------------------------------	-----------------	------------------------	----------------------	------------------------	------------------------------------	--------------------

TECHNICAL DATA

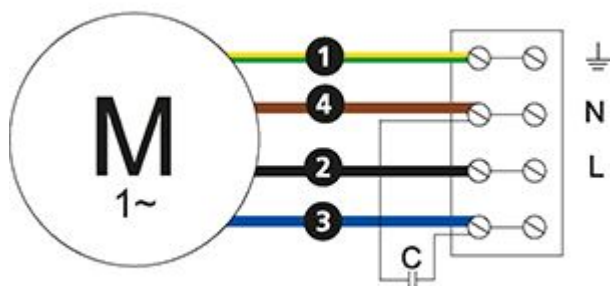
Parameter	RS 125 A1 man tp 7400001		RS 125 A1 aut tp 7400003	
	Value	Unit	Value	Unit
Voltage	230	V	230	V
Phase	1	~	1	~
Frequency	50	Hz	50	Hz
Optional frequency	60	Hz	60	Hz
Power	45	W	45	W
Current	0.2	A	0.2	A
Speed	1400	r.p.m.	1400	r.p.m.
Max. temperature of transported air	60	°C	60	°C
Max. temperature of transported air when speed controlled	60	°C	60	°C
Sound pressure level at 3 m	56	dB(A)	56	dB(A)
Weight	3.4	kg	3.4	kg
Enclosure class	44	IP	44	IP
Insulation class, motor	F		F	
Capacitor	3	µF	3	µF
Duct connection	125	mm	125	mm
Max. flow	50	l/s	50	l/s
Max. pressure	274	Pa	274	Pa
Voltage range	220-240	V	220-240	V

ECODESIGN

Parameter	Value	Unit
(a) Manufacturer	Östberg	-
(b) Model code	RS 125 A1	-
(c) SEC value	-23.37	kWh/m ²
SEC class	C	-
(d) Declared type	RVU / UVU	-
(e) Type of drive	Multi-speed drive (accessory)	-
(f) Type of heat recovery	N/A	-
(g) Thermal efficiency	N/A	%
(h) Max. flow rate (@100Pa)	111	m ³ /h
(i) Power at max. flow rate	41	W
(j) Sound power level	62	dB LwA
(k) Reference flow rate	0.040	m ³ /s
(l) Reference pressure difference	100	Pa
(m) SPI	0.30	W/(m ³ /h)
(n) Type of control/ctrl factor	Local demand control(accessory)/0.65	-
(o) External (and internal) leakage rate	N/A	%
(p) Mixing rate	N/A	-
(q) Visual filter warning	N/A	-
(r) Instruction supply/exhaust grilles	See manual	-
(s) Disassembly instructions	www.ostberg.com	-
(t) Airflow sensitivity	N/A	-
(u) Air tightness	N/A	m/s
(v) AEC	242	kWh
(w) AHS average	3018	kWh
AHS warmer	1365	kWh
AHS colder	5904	kWh

WIRING DIAGRAM

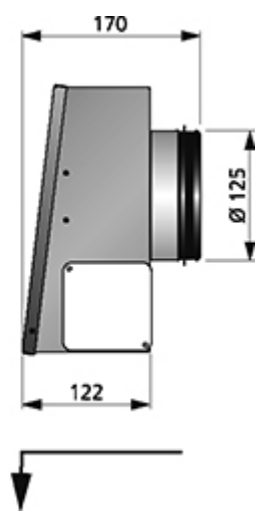
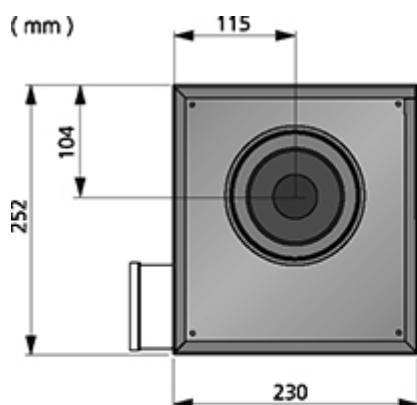
4040002



- Ⓜ = Fan Motor
- Ⓜ1 = Fan Motor
- Ⓜ2 = Fan Motor
- Ⓜ3 = Rotor Motor
- ① = Yellow/Green
- ② = Black
- ③ = Blue
- ④ = Brown
- ⑤ = White
- ⑥ = Orange
- ⑦ = Grey
- ⑧ = Red
- ⑨ = Green
- ⑩ = Violet
- ⑪ = Quick switch
- ⑫ = Yellow

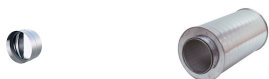
DIMENSIONS

(mm)



ACCESSORIES

Mechanical accessories



Back draught shutter Silencer LDC 125
RSK 125

Electrical accessories



Transformer
controller VRTE C



Transformer
controller VRDE 1.5



Speed controller VRS
0.5



Local Demand
Controller Kit