

## ZTV 15-0,6 2-way valve

Article number: 6571



### Description

For water and cooling media (max 30% glycol)

Media temperature 1...110°C

Pressure class PN16

Rangeability better than 50:1

Differential pressure up to 350 kPa

No leakage when the valve is closed

The control valves ZTV is a 2-way valve. The body is manufactured in brass and the spindle in stainless steel, the plug in brass and O-ring in EPDM.

The valves have equal percentage flow characteristics.

Valve actuators

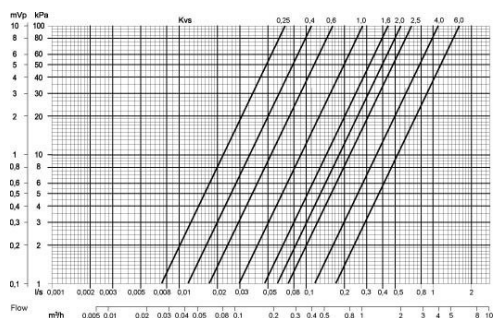
The valves are intended to be used together with actuator

RVAZ4-24A

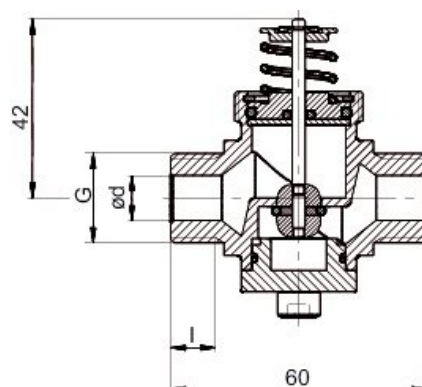
### Technical parameters

Unit	
Product type	2-way valve
Flow characteristics	Equal percentage
Media temperature	1 to 110 °C
Max. Stroke	5 mm
Max. Leakage	0 %
Pressure rating class	PN16
Regulating ratio	50:1
Material body	Brass
Material cone	Brass
Stem	Stainless steel
Packing box	EPDM
Pipe connection size	DN15
Type of pipe connection	External thread
<b>Dimensions and weights</b>	
Weight	0.28 kg

### Performances



### Dimension



	Connection	G	I
ZTV 15-0.25	DN15	1/2"	9
ZTV 15-0.4	DN15	1/2"	9
ZTV 15-0.6	DN15	1/2"	9
ZTV 15-1.0	DN15	1/2"	9
ZTV 15-1.6	DN15	1/2"	9
ZTV 20-2.0	DN20	3/4"	12.5
ZTV 20-2.5	DN20	3/4"	12.5
ZTV 20-4.0	DN20	3/4"	11.5
ZTV 20-6.0	DN20	3/4"	11.5

### Accessories

RVAZ4 24A Actuator 0-10V (9862)

### Documents

ZTV\_ZTR\_GB.PDF

EC\_ZTV\_ZTR\_DN15-25.pdf

MVD ZTV\_ZTR\_eng.pdf