

ZTR 15-0,6 valve 3-way

Article number: 6573



Description

For water and cooling media (max 30% glycol)

Media temperature 1...110°C

Pressure class PN16

Rangeability better than 50:1

Differential pressure up to 350 kPa

No leakage when the valve is closed

The control valves ZTR is a 3-way valve. The body is manufactured in brass and spindle in stainless steel, the plug in brass and O-ring in EPDM.

The valves have equal percentage flow characteristics.

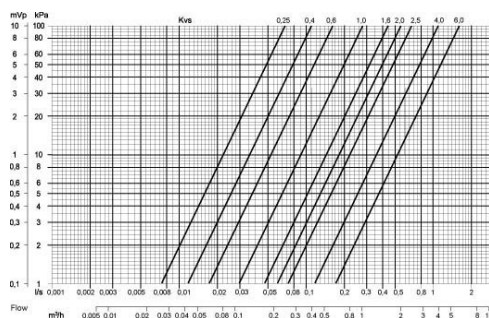
Valve actuators

The valves are intended to be used together with actuator, RVAZ4-24A

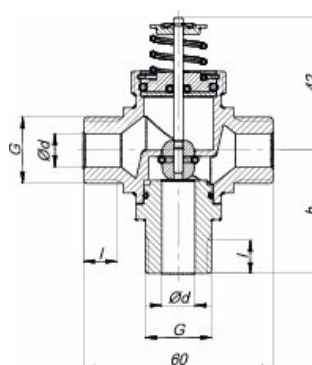
Technical parameters

Unit	
Product type	3-way valve
Flow characteristics	Equal percentage
Media temperature	1 to 110 °C
Max. Stroke	5 mm
Max. Leakage	0 %
Pressure rating class	PN16
Regulating ratio	50:1
Material body	Brass
Material cone	Brass
Stem	Stainless steel
Packing box	EPDM
Pipe connection size	DN15
Type of pipe connection	External thread
Dimensions and weights	
Weight	0.28 kg

Performances



Dimension



Connection	G	l	h
ZTR 15-0,4	DN15	1/2"	9 40
ZTR 15-0,6	DN15	1/2"	9 40
ZTR 15-1,0	DN15	1/2"	9 40
ZTR 15-1,6	DN15	1/2"	9 40
ZTR 20-2,0	DN20	3/4"	12,5 40
ZTR 20-2,5	DN20	3/4"	12,5 40
ZTR 20-4,0	DN20	3/4"	11,5 50
ZTR 20-6,0	DN20	3/4"	11,5 50

Connection	G	l	h
ZTR 15-0,25	DN15	1/2"	9 40
ZTR 15-0,4	DN15	1/2"	9 40
ZTR 15-0,6	DN15	1/2"	9 40
ZTR 15-1,0	DN15	1/2"	9 40
ZTR 15-1,6	DN15	1/2"	9 40
ZTR 20-2,0	DN20	3/4"	12,5 40
ZTR 20-2,5	DN20	3/4"	12,5 40
ZTR 20-4,0	DN20	3/4"	11,5 50
ZTR 20-6,0	DN20	3/4"	11,5 50

Accessories

RVAZ4 24A Actuator 0-10V (9862)

Documents

ZTV_ZTR_GB.PDF

MVD ZTV_ZTR_eng.pdf