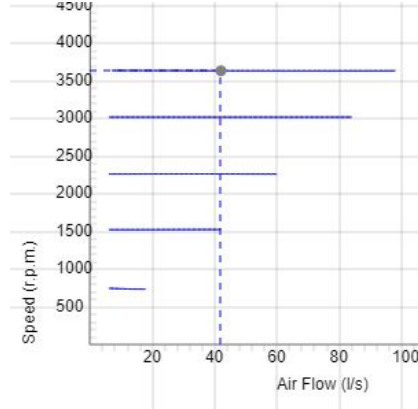
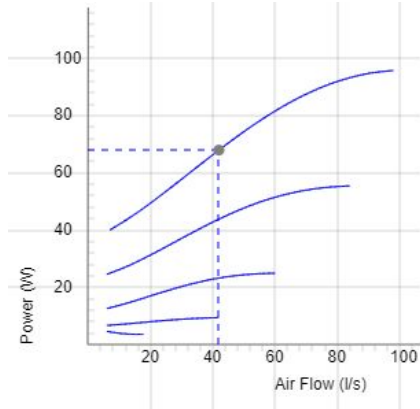
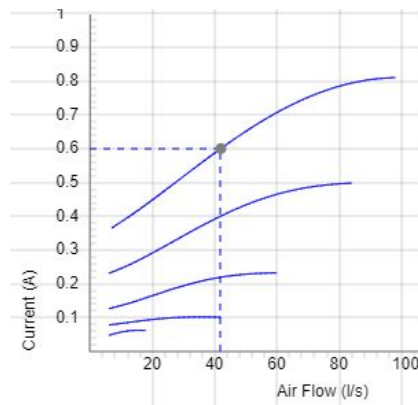
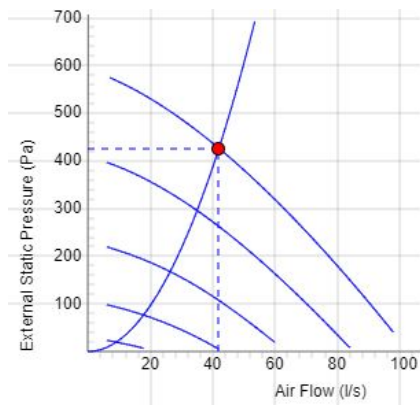


## CK 100 C1 EC



- Duct fan with circular connections.
- Proven performance and reliability.
- Compact with high capacity and efficiency.
- Low sound levels.
- Impeller with backward curved blades.
- The external rotor motor has maintenance-free sealed ball-bearings and is very energy efficient.
- Speed controlling can be done with the built-in potentiometer, 0-10 V alt. external control.
- Integrated motor protection.
- Junction box has enclosure class IP 54.
- Fan housing is manufactured from galvanized sheet steel.
- The fan is intended to be installed in a duct system.
- A duct connected fan can be installed outside or in damp environments.
- Easy installation in any position

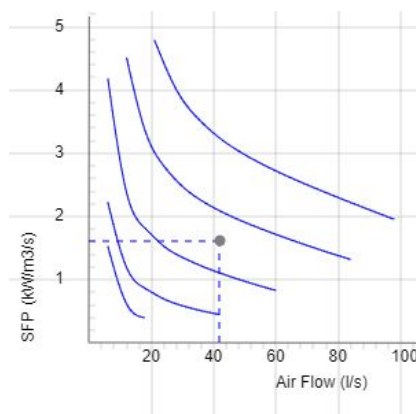
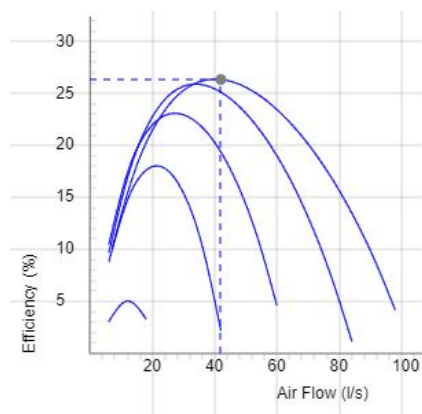
## DIAGRAMS



## Data

Air Flow (l/s) 42	External static pressure (Pa) 426	Power (W) 68	Speed (r.p.m.) 3634	Current (A) 0.601	Voltage (V) 10
----------------------	--------------------------------------	-----------------	------------------------	----------------------	-------------------

## DIAGRAMS

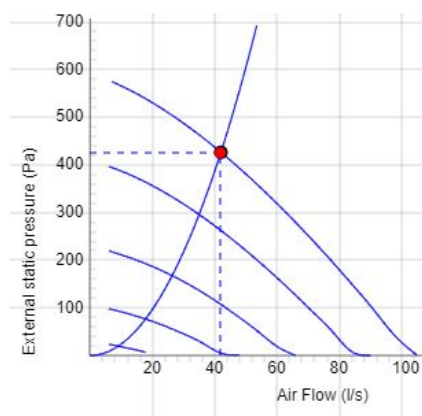


## DATA

Efficiency (%)  
26.3

SFP (kW/m<sup>3</sup>/s)  
1.62

## SOUND DATA



	Tot	63	125	250	500	1k	2k	4k	8k
Inlet Lw dB(A)	77	58	69	71	70	71	66	66	57
Outlet Lw dB(A)	78	56	68	72	70	71	71	67	58
Surrounding Lw dB(A)	53	30	37	43	44	49	44	46	36
Surrounding Lp dB (A) 20m <sup>2</sup> Sabine, hemispherical 3m	46								

## Data - SOUND

Air Flow (l/s) 42	External static pressure (Pa) 426	Power (W) 68	Speed (r.p.m.) 3634	Current (A) 0.601	Efficiency (%) 26.3	SFP (kW/m <sup>3</sup> /s) 1.62	Voltage (V) 10
----------------------	---	-----------------	------------------------	----------------------	------------------------	------------------------------------	-------------------

## TECHNICAL DATA

### CK 100 C1 EC-y2 7001233

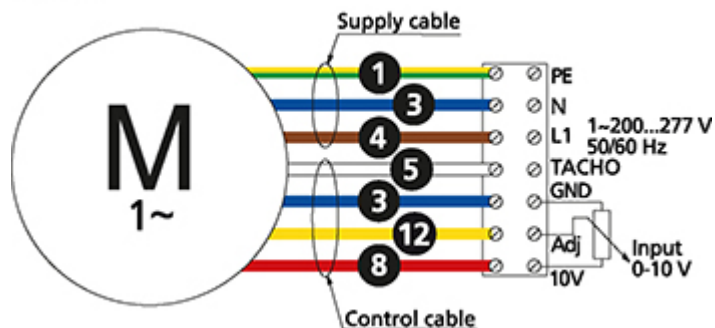
Parameter	Value	Unit
Voltage	230	V
Phase	1	~
Frequency	50/60	Hz
Power	95	W
Current	0.8	A
Speed	3640	r.p.m.
Max. temperature of transported air	60	°C
Sound pressure level at 3 m	47	dB(A)
Weight	2.5	kg
Enclosure class	44	IP
Insulation class, motor	F	
Duct connection	100	mm
Max. flow	103	l/s
Max. pressure	595	Pa
Voltage range	200-277	V

## PRODUCT INFORMATION SHEET

Parameter	Value	Unit
(a) Manufacturer	Östberg	-
(b) Model code	CK 100 C1 EC	-
(c) Declared type	NRVU / UVU	-
(d) Type of drive	Variable speed drive	-
(e) Type of HRS	N/A	-
(f) Thermal efficiency	N/A	%
(g) Nominal flow rate	0.038	m <sup>3</sup> /s
(h) Effective power input	0.064	kW
(i) SFP int	N/A	W/(m <sup>3</sup> /s)
(j) Face velocity	4.9	m/s
(k) Nominal external pressure	452	Pa
(l) Internal pressure drop	N/A	Pa
(n) Static efficiency	45.0	%
(o) External (and internal) leakage rate	0.88 (N/A)	%
(p) Filter classification	N/A	%
(q) Visual filter warning	N/A	-
(r) Sound power level	54	dB LwA
(s) Disassembly instructions	fsp.ostberg.com	-

## WIRING DIAGRAM

4040153



(M) = Fan Motor

(M1) = Fan Motor

(M2) = Fan Motor

(M3) = Rotor Motor

1 = Yellow/Green

2 = Black

3 = Blue

4 = Brown

5 = White

6 = Orange

7 = Grey

8 = Red

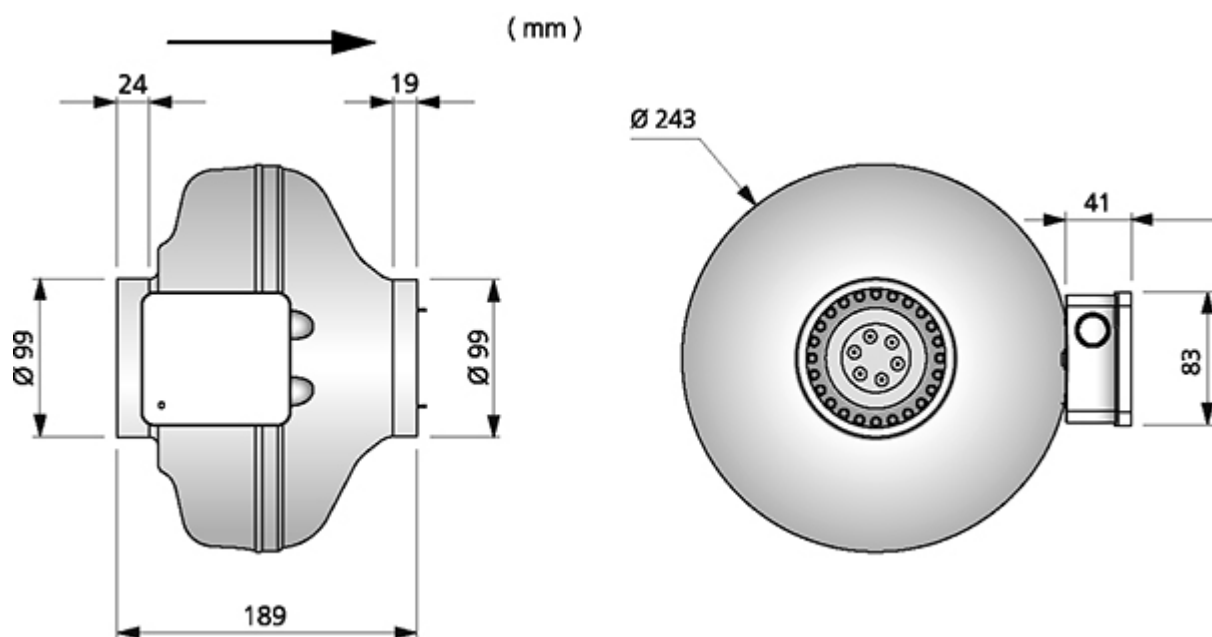
9 = Green

10 = Violet

11 = Quick switch

12 = Yellow

## DIMENSIONS



## ACCESSORIES

### Mechanical accessories



Mounting bracket Kit MB



Mounting clamp MK 100



Safety grille BSV 100



Back draught shutter RSK 100



Louvre YG 100



Louvre shutter VK 100



Filterbox FLK 100



Filterbox FLF 100



Silencer LDC 100

### Electrical accessories



Speed controller MS EC



Pressure regulator CALAIR-PR-230V



Controller IQ-Reg EC



Pressure regulator FKP-R