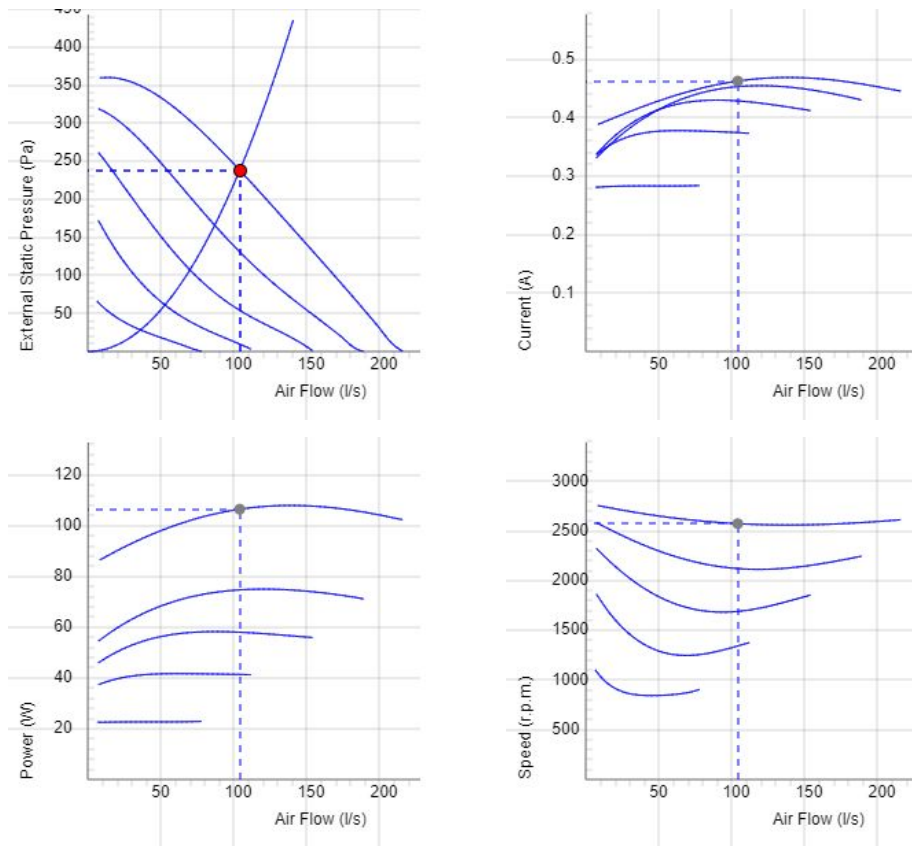


## CK 160 C1



- Duct fan with circular connections.
- Proven performance and reliability.
- Compact with high capacity and efficiency.
- Low sound levels.
- Operational in both 50 and 60 Hz.
- Impeller with backward curved blades.
- The external rotor motor has maintenance-free sealed ball-bearings and is very energy efficient.
- For speed control a transformer or electronic speed controller can be connected.
- Integrated motor protection.
- Junction box has enclosure class IP 54.
- Fan housing is manufactured from galvanized sheet steel.
- The fan is intended to be installed in a duct system.
- A duct connected fan can be installed outside or in damp environments.
- Easy installation in any position.
- To comply with the ErP 2018 regulation, a local demand controller must be used.

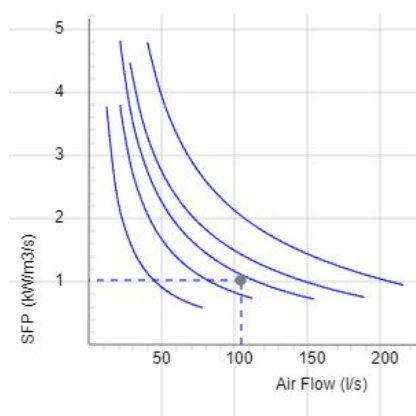
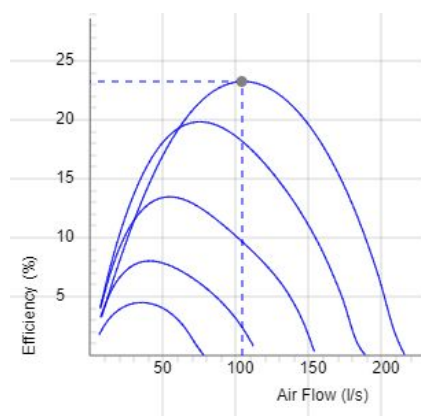
## DIAGRAMS



## Data

Air Flow (l/s) 104	External static pressure (Pa) 238	Power (W) 107	Speed (r.p.m.) 2574	Current (A) 0.463	Voltage (V) 230
-----------------------	--------------------------------------	------------------	------------------------	----------------------	--------------------

## DIAGRAMS

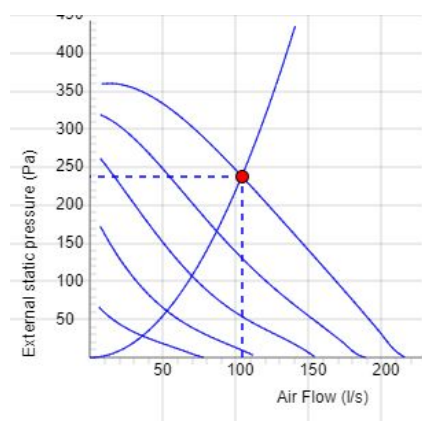


## DATA

Efficiency (%)  
23.3

SFP (kW/m<sup>3</sup>/s)  
1.02

## SOUND DATA



	Tot	63	125	250	500	1k	2k	4k	8k
Inlet Lw dB(A)	75	54	64	71	69	66	61	59	52
Outlet Lw dB(A)	72	55	64	67	66	65	60	58	52
Surrounding Lw dB(A)	50	22	35	45	43	45	35	35	28
Surrounding Lp dB (A) 20m <sup>2</sup> Sabine, hemispherical 3m	43								

## Data - SOUND

Air Flow (l/s) 104	External static pressure (Pa) 238	Power (W) 107	Speed (r.p.m.) 2574	Current (A) 0.463	Efficiency (%) 23.3	SFP (kW/m <sup>3</sup> /s) 1.02	Voltage (V) 230
-----------------------	---	------------------	------------------------	----------------------	------------------------	------------------------------------	--------------------

## TECHNICAL DATA

Parameter	CK 160 C1 man tp 7000011		CK 160 C1 aut tp 7000050	
	Value	Unit	Value	Unit
Voltage	230	V	230	V
Phase	1	~	1	~
Frequency	50	Hz	50	Hz
Optional frequency	60	Hz	60	Hz
Power	108	W	108	W
Current	0.47	A	0.47	A
Speed	2560	r.p.m.	2560	r.p.m.
Max. temperature of transported air	75	°C	75	°C
Max. temperature of transported air when speed controlled	75	°C	75	°C
Sound pressure level at 3 m	43	dB(A)	43	dB(A)
Weight	3.9	kg	3.9	kg
Enclosure class	44	IP	44	IP
Insulation class, motor	F		F	
Capacitor	3	µF	3	µF
Duct connection	160	mm	160	mm
Max. flow	213	l/s	213	l/s
Max. pressure	361	Pa	361	Pa
Voltage range	220-240	V	220-240	V

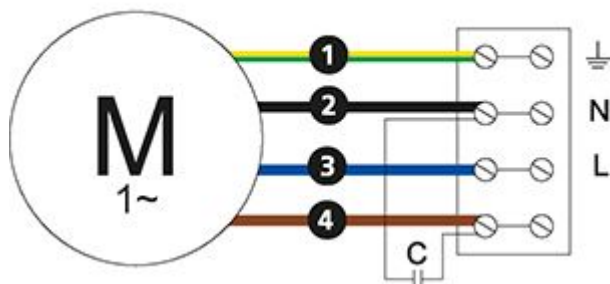
## PRODUCT INFORMATION SHEET

Parameter	Value	Unit
(a) Manufacturer	Östberg	-
(b) Model code	CK 160 C1	-
(c) SEC average climate	-25.8	kWh/m <sup>2</sup>
SEC average climate, class	C	-
SEC warm climate	-10.3	kWh/m <sup>2</sup>
SEC warm climate, class	E	-
SEC cold climate	-52.9	kWh/m <sup>2</sup>
SEC cold climate, class	A+	-
(d) Declared type	RVU / UVU	-
(e) Type of drive	Multi-speed drive (accessory)	-
(f) Type of heat recovery	N/A	-
(g) Thermal efficiency	N/A	%
(h) Max. flow rate (@100Pa)	608	m <sup>3</sup> /h
(i) Power at max. flow rate	107	W
(j) Sound power level	50	dB LwA
(k) Reference flow rate	0.108	m <sup>3</sup> /s
(l) Reference pressure difference	50	Pa
(m) SPI	0.15	W/(m <sup>3</sup> /h)
(n) Type of control/ctrl factor	Local demand control(accessory)/0.65	-
(o) External (and internal) leakage rate	0.25 (N/A)	%
(p) Mixing rate	N/A	-
(q) Visual filter warning	N/A	-
(r) Instruction supply/exhaust grilles	See manual	-
(s) Disassembly instructions	fsp.ostberg.com	-
(t) Airflow sensitivity	N/A	-
(u) Air tightness	N/A	m/s
(v) AEC	98	kWh

Parameter	Value	Unit
(w) AHS average	2830	kWh
AHS warmer	1280	kWh
AHS colder	5536	kWh

## WIRING DIAGRAM

4040001



Ⓜ = Fan Motor

Ⓜ1 = Fan Motor

Ⓜ2 = Fan Motor

Ⓜ3 = Rotor Motor

① = Yellow/Green

② = Black

③ = Blue

④ = Brown

⑤ = White

⑥ = Orange

⑦ = Grey

⑧ = Red

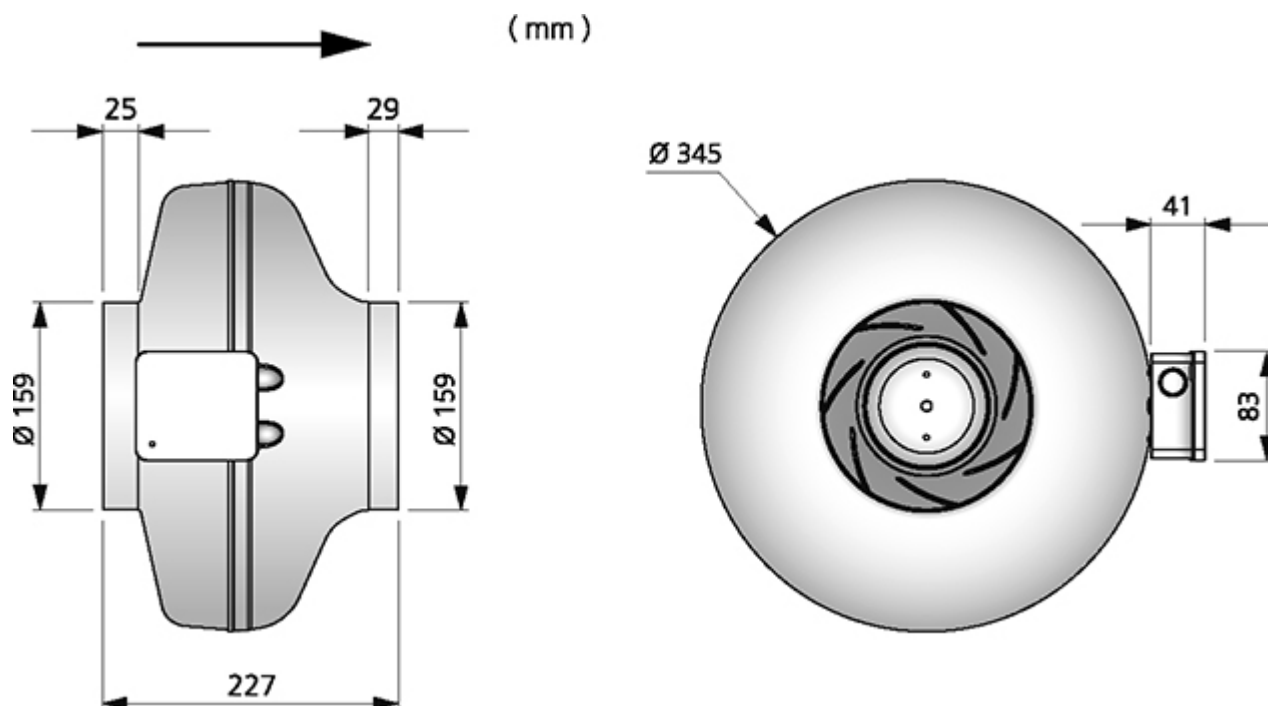
⑨ = Green

⑩ = Violet

⑪ = Quick switch

⑫ = Yellow

## DIMENSIONS





## ACCESSORIES

### Mechanical accessories



Mounting bracket Kit MB



Mounting clamp MK 160



Safety grille BSV 160



Back draught shutter RSK 160



Louvre YG 160



Louvre shutter VK 160



Filterbox FLK 160



Filterbox FLF 160



Silencer LDC 160

### Electrical accessories



Transformer controller VRTE C



Transformer controller VRDE 1.5



Speed controller VRS 1.0



Local Demand Controller Kit