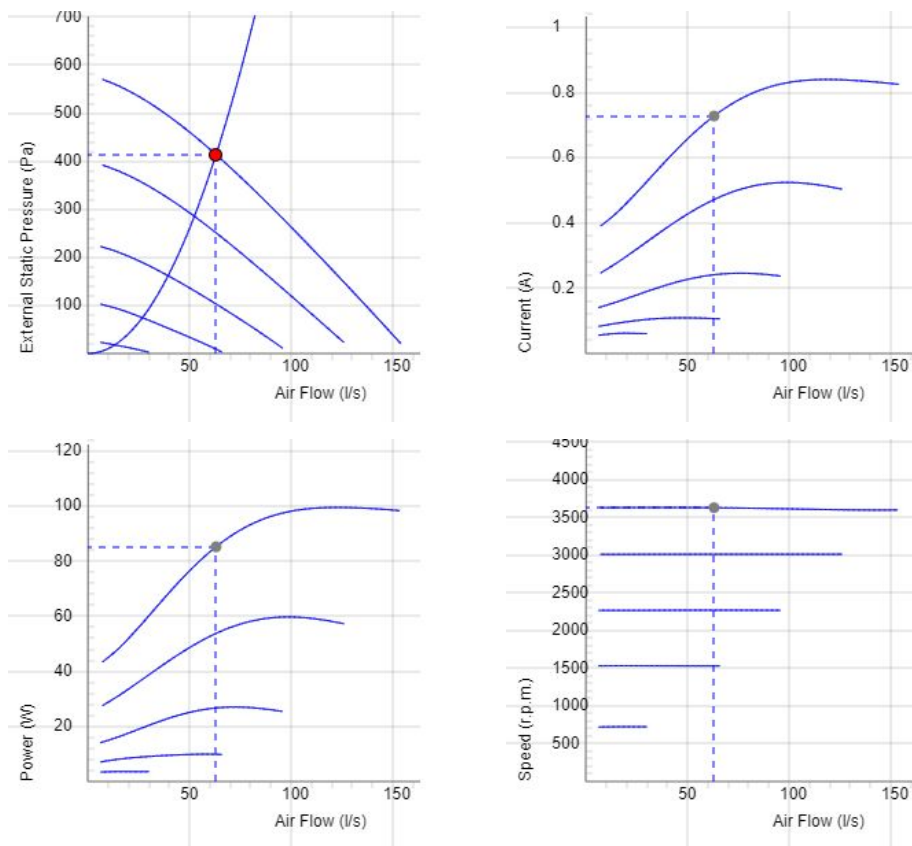


## CK 125 C1 EC



- Duct fan with circular connections.
- Proven performance and reliability.
- Compact with high capacity and efficiency.
- Low sound levels.
- Impeller with backward curved blades.
- The external rotor motor has maintenance-free sealed ball-bearings and is very energy efficient.
- Speed controlling can be done with the built-in potentiometer, 0-10 V alt. external control.
- Integrated motor protection.
- Junction box has enclosure class IP 54.
- Fan housing is manufactured from galvanized sheet steel.
- The fan is intended to be installed in a duct system.
- A duct connected fan can be installed outside or in damp environments.
- Easy installation in any position

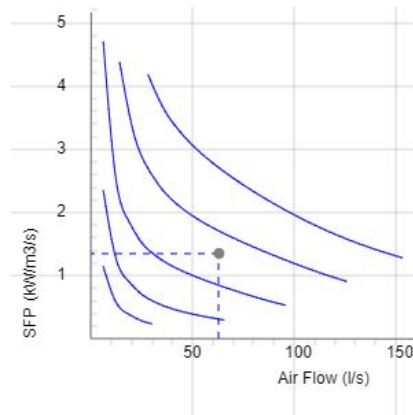
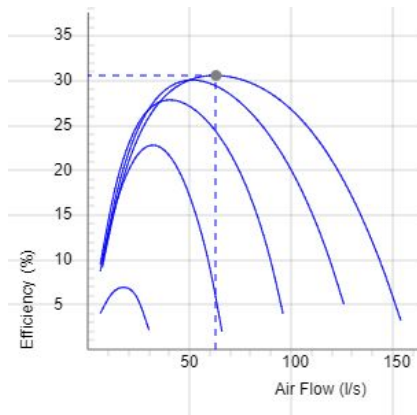
## DIAGRAMS



## Data

|                      |                                      |                   |                        |                      |                   |
|----------------------|--------------------------------------|-------------------|------------------------|----------------------|-------------------|
| Air Flow (l/s)<br>63 | External static pressure (Pa)<br>414 | Power (W)<br>85.2 | Speed (r.p.m.)<br>3633 | Current (A)<br>0.728 | Voltage (V)<br>10 |
|----------------------|--------------------------------------|-------------------|------------------------|----------------------|-------------------|

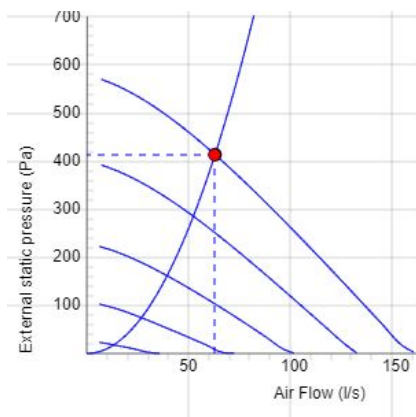
## DIAGRAMS



## DATA

|                            |      |
|----------------------------|------|
| Efficiency (%)             | 30.6 |
| SFP (kW/m <sup>3</sup> /s) | 1.35 |

## SOUND DATA



|   | Tot | 63 | 125 | 250 | 500 | 1k | 2k | 4k | 8k |
|---|-----|----|-----|-----|-----|----|----|----|----|
| Inlet Lw dB(A)  | 79  | 56 | 68  | 72  | 74  | 72 | 70 | 68 | 59 |
| Outlet Lw dB(A)   | 79  | 57 | 68  | 70  | 71  | 72 | 73 | 69 | 62 |
| Surrounding Lw dB(A)  | 53  | 37 | 37  | 41  | 44  | 49 | 44 | 46 | 36 |
| Surrounding Lp dB (A)<br>20m <sup>2</sup> Sabine,<br>hemispherical 3m | 46  |    |     |     |     |    |    |    |    |

## Data - SOUND

|                |                               |           |                |             |                |                            |             |
|----------------|-------------------------------|-----------|----------------|-------------|----------------|----------------------------|-------------|
| Air Flow (l/s) | External static pressure (Pa) | Power (W) | Speed (r.p.m.) | Current (A) | Efficiency (%) | SFP (kW/m <sup>3</sup> /s) | Voltage (V) |
| 63             | 414                           | 85.2      | 3633           | 0.728       | 30.6           | 1.35                       | 10          |

## TECHNICAL DATA

### CK 125 C1 EC-y2 7001239

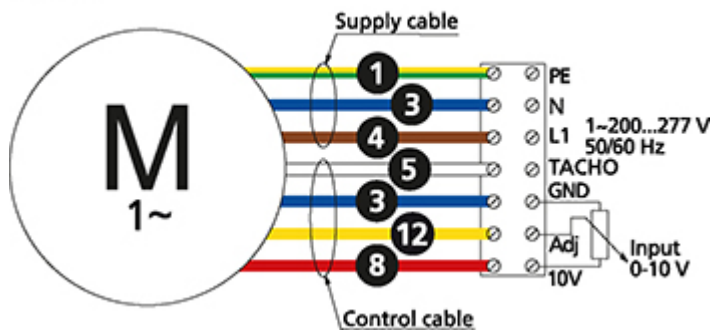
| Parameter                           | Value   | Unit   |
|-------------------------------------|---------|--------|
| Voltage                             | 230     | V      |
| Phase                               | 1       | ~      |
| Frequency                           | 50/60   | Hz     |
| Power                               | 99      | W      |
| Current                             | 0.83    | A      |
| Speed                               | 3600    | r.p.m. |
| Max. temperature of transported air | 60      | °C     |
| Sound pressure level at 3 m         | 46      | dB(A)  |
| Weight                              | 2.5     | kg     |
| Enclosure class                     | 44      | IP     |
| Insulation class, motor             | F       |        |
| Duct connection                     | 125     | mm     |
| Max. flow                           | 158     | l/s    |
| Max. pressure                       | 582     | Pa     |
| Voltage range                       | 200-277 | V      |

## PRODUCT INFORMATION SHEET

| Parameter                                | Value                | Unit                  |
|--|----------------------|-----------------------|
| (a) Manufacturer                         | Östberg              | -                     |
| (b) Model code                           | CK 125 C1 EC         | -                     |
| (c) Declared type                        | NRVU / UVU           | -                     |
| (d) Type of drive                        | Variable speed drive | -                     |
| (e) Type of HRS                          | N/A                  | -                     |
| (f) Thermal efficiency                   | N/A                  | %                     |
| (g) Nominal flow rate                    | 0.050                | m <sup>3</sup> /s     |
| (h) Effective power input                | 0.075                | kW                    |
| (i) SFP int                              | N/A                  | W/(m <sup>3</sup> /s) |
| (j) Face velocity                        | 4                    | m/s                   |
| (k) Nominal external pressure            | 467                  | Pa                    |
| (l) Internal pressure drop               | N/A                  | Pa                    |
| (n) Static efficiency                    | 45.0                 | %                     |
| (o) External (and internal) leakage rate | 0.67 (N/A)           | %                     |
| (p) Filter classification                | N/A                  | %                     |
| (q) Visual filter warning                | N/A                  | -                     |
| (r) Sound power level                    | 53                   | dB LwA                |
| (s) Disassembly instructions             | fsp.ostberg.com      | -                     |

## WIRING DIAGRAM

4040153



(M) = Fan Motor

(M1) = Fan Motor

(M2) = Fan Motor

(M3) = Rotor Motor

1 = Yellow/Green

2 = Black

3 = Blue

4 = Brown

5 = White

6 = Orange

7 = Grey

8 = Red

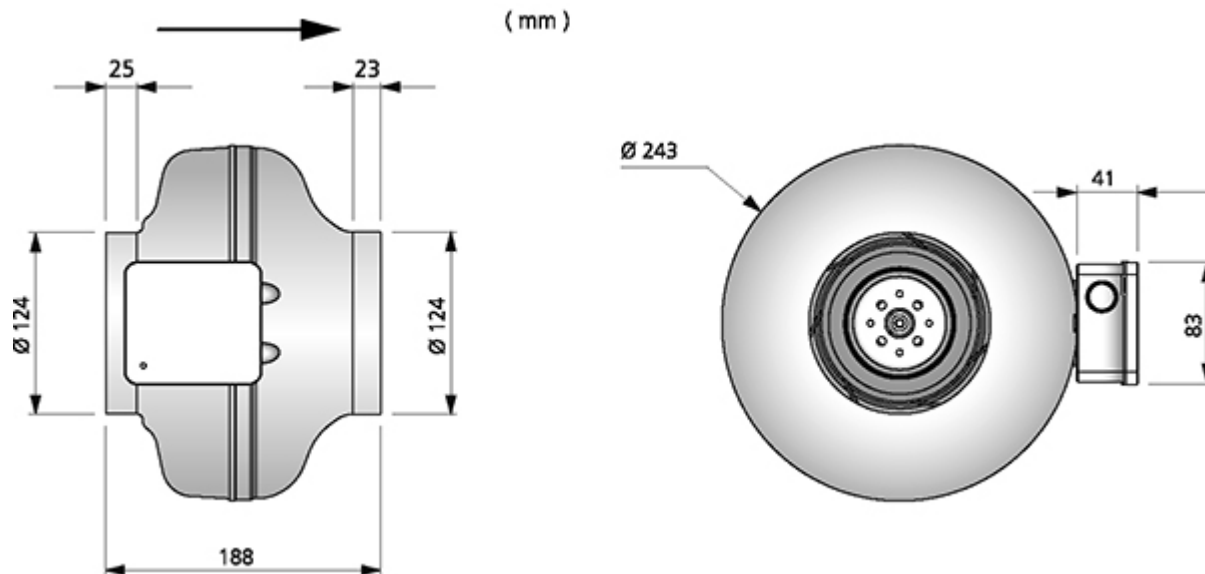
9 = Green

10 = Violet

11 = Quick switch

12 = Yellow

## DIMENSIONS



## ACCESSORIES

### Mechanical accessories



Mounting bracket Kit MB



Mounting clamp MK 125



Safety grille BSV 125



Back draught shutter RSK 125



Louvre YG 125



Louvre shutter VK 125



Filterbox FLK 125



Filterbox FLF 125



Silencer LDC 125

### Electrical accessories



Controller IQ-Reg EC



Speed controller MS EC



Pressure regulator CALAIR-PR-230V



Pressure regulator FKP-R