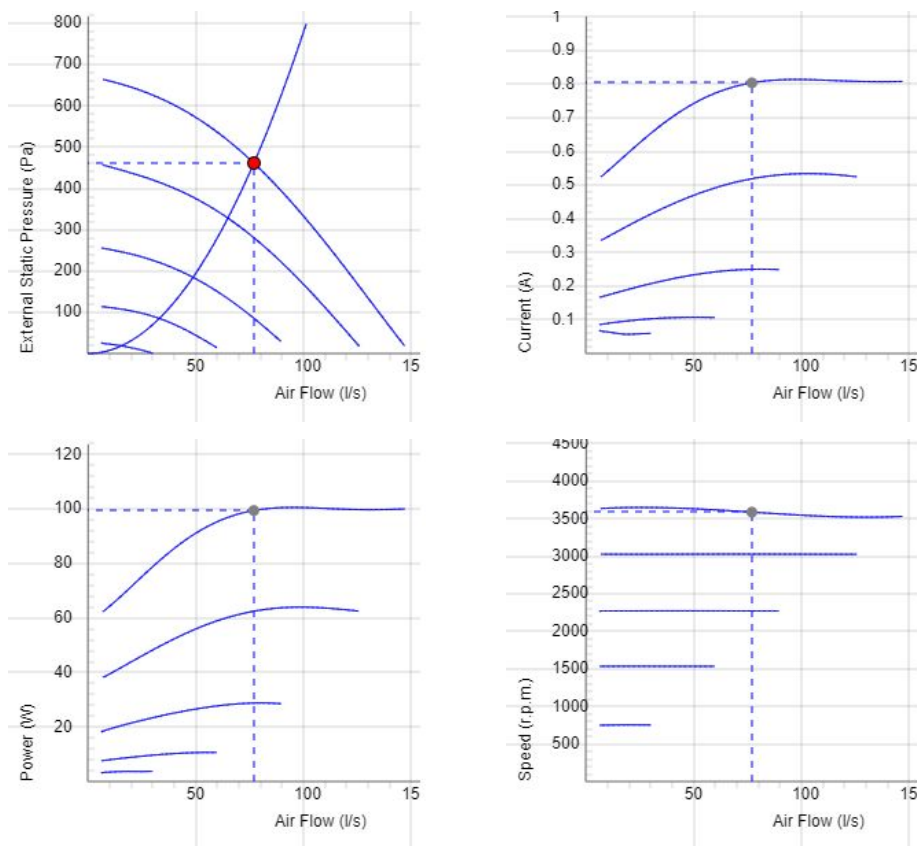


LPKB SILENT 125 C1 EC



- Low profile duct fan with circular connections.
- A small and useful duct fan which are perfect for spaces with minimum height clearance.
- Equipped with a built in silencer on the inlet side for an even lower sound level.
- High capacity and efficiency.
- Impeller with backward curved blades.
- The external rotor motor has maintenance-free sealed ball-bearings and is very energy efficient.
- Speed controlling can be done with the built-in potentiometer, 0-10 V alt. external control.
- Integrated motor protection.
- Junction box has enclosure class IP 54.
- Fan housing is manufactured from galvanized sheet steel.
- Duct connections are equipped with rubber seals.
- The fan is intended to be installed in a duct system.
- A duct connected fan can be installed outside or in damp environments.
- The mounting brackets simplify installation in any position.

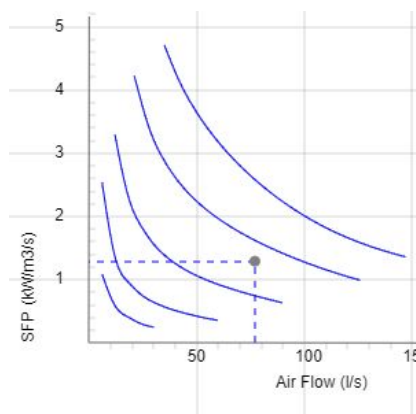
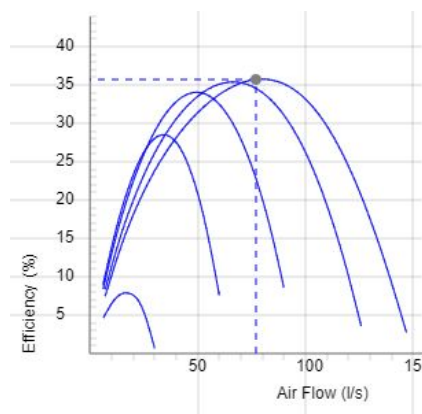
DIAGRAMS



Data

Air Flow (l/s) 77	External static pressure (Pa) 461	Power (W) 99.5	Speed (r.p.m.) 3588	Current (A) 0.804	Voltage (V) 10
----------------------	--------------------------------------	-------------------	------------------------	----------------------	-------------------

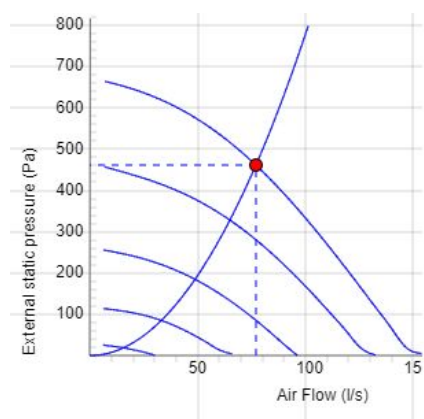
DIAGRAMS



DATA

Efficiency (%)	35.7
SFP (kW/m3/s)	1.29

SOUND DATA



	Tot	63	125	250	500	1k	2k	4k	8k
Inlet Lw dB(A)	70	56	66	66	62	56	57	53	45
Outlet Lw dB(A)	81	63	67	70	78	72	74	67	59
Surrounding Lw dB(A)	61	38	41	51	59	51	46	41	33
Surrounding Lp dB (A) 20m ² Sabine, hemispherical 3m	54								

Data - SOUND

Air Flow (l/s)	External static pressure (Pa)	Power (W)	Speed (r.p.m.)	Current (A)	Efficiency (%)	SFP (kW/m3/s)	Voltage (V)
77	461	99.5	3588	0.804	35.7	1.29	10

TECHNICAL DATA

LPKB Silent 125 C1 EC-y2 7540809

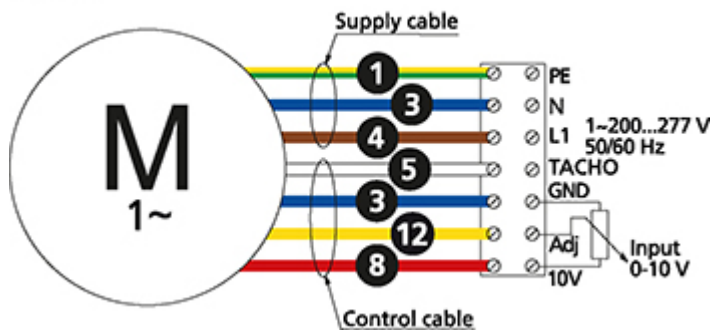
Parameter	Value	Unit
Voltage	230	V
Phase	1	~
Frequency	50/60	Hz
Power	101	W
Current	0.82	A
Speed	3530	r.p.m.
Max. temperature of transported air	60	°C
Sound pressure level at 3 m	54	dB(A)
Weight	5.9	kg
Enclosure class	44	IP
Insulation class, motor	F	
Duct connection	125	mm
Max. flow	150	l/s
Max. pressure	671	Pa
Voltage range	200-277	V

PRODUCT INFORMATION SHEET

Parameter	Value	Unit
(a) Manufacturer	Östberg	-
(b) Model code	LPKB Silent 125 C1 EC	-
(c) Declared type	NRVU / UVU	-
(d) Type of drive	Variable speed drive	-
(e) Type of HRS	N/A	-
(f) Thermal efficiency	N/A	%
(g) Nominal flow rate	0.084	m ³ /s
(h) Effective power input	0.099	kW
(i) SFP int	N/A	W/(m ³ /s)
(j) Face velocity	6.8	m/s
(k) Nominal external pressure	428	Pa
(l) Internal pressure drop	N/A	Pa
(n) Static efficiency	45.0	%
(o) External (and internal) leakage rate	0.8 (N/A)	%
(p) Filter classification	N/A	%
(q) Visual filter warning	N/A	-
(r) Sound power level	61	dB LwA
(s) Disassembly instructions	fsp.ostberg.com	-

WIRING DIAGRAM

4040153



(M) = Fan Motor

(M1) = Fan Motor

(M2) = Fan Motor

(M3) = Rotor Motor

1 = Yellow/Green

2 = Black

3 = Blue

4 = Brown

5 = White

6 = Orange

7 = Grey

8 = Red

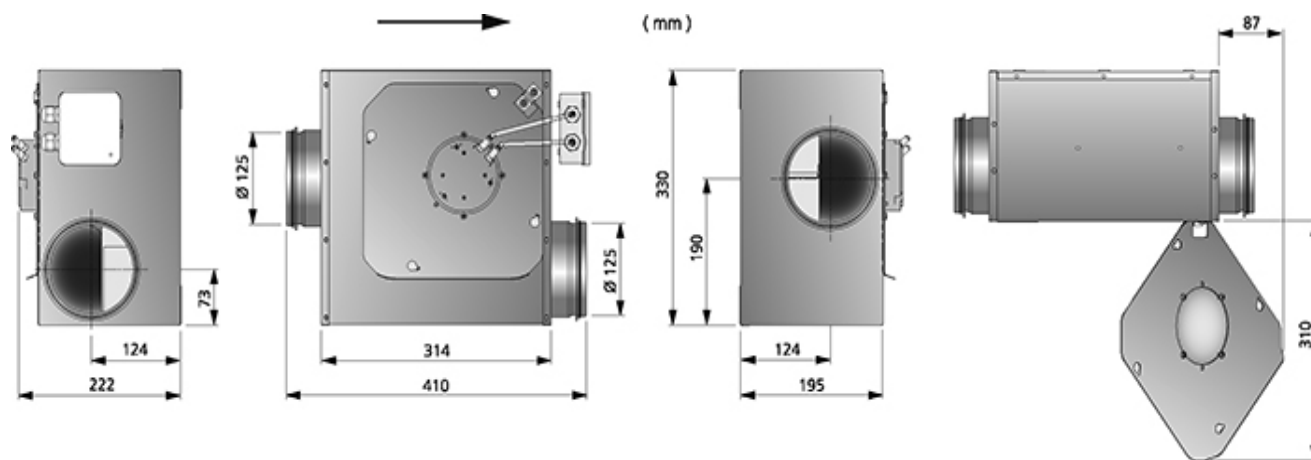
9 = Green

10 = Violet

11 = Quick switch

12 = Yellow

DIMENSIONS



ACCESSORIES

Mechanical accessories



Mounting clamp MK 125



Filterbox FLK 125



Filterbox FLF 125



Safety grille BSV 125



Back draught shutter RSK 125



Louvre YG 125



Louvre shutter VK 125



Silencer LDC 125

Electrical accessories



Speed controller MS EC



Controller IQ-Reg EC



Pressure regulator CALAIR-PR-230V



Pressure regulator FKP-R